

s.33

heavy duty full port 1/4"-2" hot forged brass ball valves



Quality

- 24h 100% seal test guaranteed
- Dual sealing system allows valve to be operated in either direction making installation easier
- No metal-to-metal moving parts
- Handle clearly shows ball position
- Silicone-free lubricant on all seals
- Chrome plated brass ball for longer life
- Travel stops on body to avoid stresses at stem

Body

- Hot forged sand blasted, nickel plated brass body and cap sealed with Loctite or equivalent thread sealant
- Finest brass according to EN 12165 and EN 12164 (formerly DIN 17660 and UNI 5705-65) specifications

Stem

- Blowout-proof nickel plated brass stem
- Pure PTFE adjustable packing gland and washer for lower torque and easy maintenance

Working Pressure

- see non-shock cold working pressure on chart

PED Directives

- According to 97/23 CE module A: it cannot be used with dangerous gases in sizes larger than 25mm

Flow

- 100% Full port for maximum flow

Thread

- EN 10226-1, ISO 228 parallel female by female threads

Handle

- Geomet® carbon steel handle with thick PVC dip coating. Handle coating offers both thermal and electrical protection

Seals

- Pure PTFE self-lubricating seats with flexible-lip design

Operating Temperature

- -40°C (-40°F)
- +170°C (+350°F)
- Warning: freezing of the fluid in the installation may severely damage the valve

Upon request

- AISI 316 stainless steel ball and/or stem
- Glass filled PTFE ball seals
- Custom Design

Options

- Stem extension
- T-handle
- Oval lockable handle
- AISI 430 stainless steel handle
- Patented locking device
- Taper male by parallel female threads

Approved By:



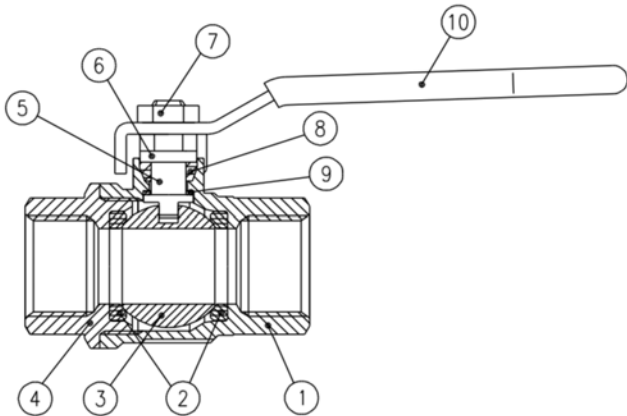
NOTE: Approvals apply to specific configurations only



RUB RUBINETTERIE UTENSILERIE BONOMI

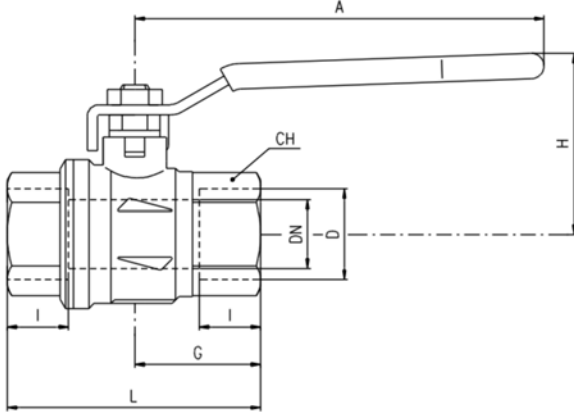
s.33

heavy duty full port 1/4"-2" hot forged brass ball valves



PART DESCRIPTION	Q.TY	MATERIAL
1 Nickel plated body	1	CW617N
2 Seat	2	PTFE
3 Chrome plated ball	1	CW617N
4 Nickel plated end cap	1	CW617N
5 Nickel plated stem packing gland design	1	CW617N
6 Nickel plated gland nut	1	CW617N
7 Geomet® nut	1	CB4FF
8 Packing gland seal	1	PTFE
9 Washer	1	PTFE
10 Black PVC coated geomet® steel handel	1	DD11

1.1/4"-2" Hollow ball

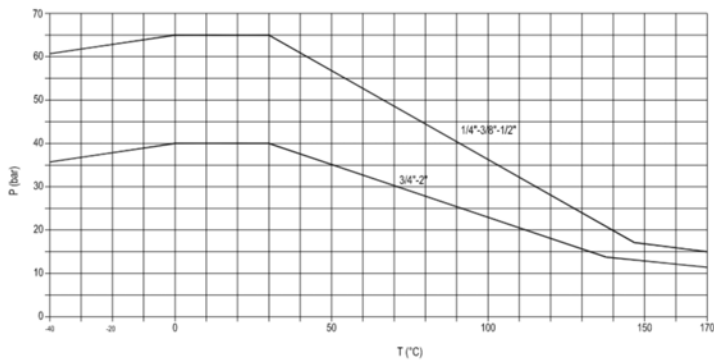


Code	S33B00	S33C00	S33D00	S33E00	S33F00	S33G00	S33H00	S33I00
D (inch)	1/4	3/8	1/2	3/4	1	1 1/4	1 1/2	2
DN (mm)	8	10	15	20	25	32	40	50
I (mm)	12.5	12.5	15.5	18	21	23	24.5	26.5
L (mm)	51	51	61	74.5	90.5	104	117	135
G (mm)	25.5	25.5	30.5	37	45.5	52	59	67.5
A (mm)	82	82	100	120	120	158	158	158
H (mm)	39.5	39.5	43	52.5	57	78	85	92
CH (mm)	22	22	27	32	41	50	55	70
PN (bar)	65	65	65	40	40	40	40	40

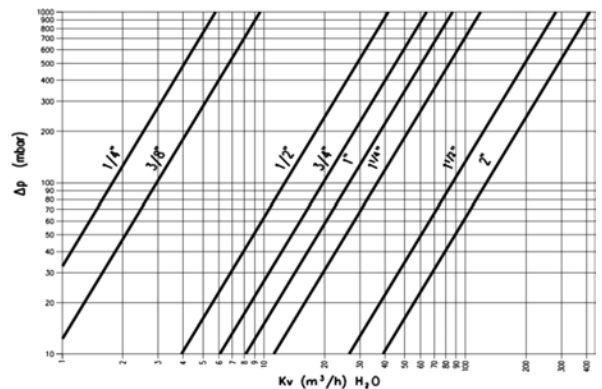
Ball valves are marked CE on handle from 1.1/4" to 2" as follow: CE XXCODEXX Cat I-A

Ask for additional information on the whole range of RuB valves and consult with your supplier for special applications.

Pressure - Temperature Chart



Pressure Drop Chart



The company reserves all rights for the information contained herein. Products may be changed at any time without notice. Any undated reference to a code or standard shall be interpreted as referring to the latest edition. RuB and logo are registered trademarks of RuB-Rubinetterie utensilerie Bonomi. Others logos are property of respective owners.



Via Padana Superiore 27/29 25080 Ciliverghe di Mazzano (Bs) Italy
 Ph: +39 030 212441 - Fax: +39 030 2629498
 sales@rubvalves.com - www.rubvalves.com

