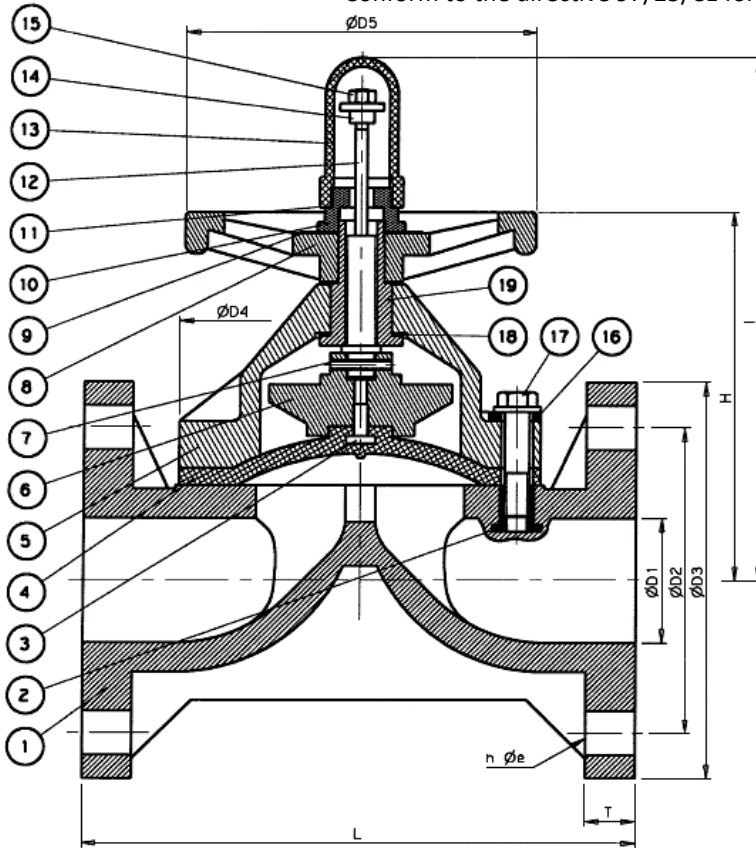


SAFI-LIMITED
35 Holton Road
Holton Heath Trading Park
Poole, DORSET BH16 6LT
Tel: +44 (0) 12 02 624 618
Fax: +44 (0) 12 02 628 500

Conform to the directive 97/23/CE for liquids groups 1 and 2



It	No	DESCRIPTION	MATERIAL
1	1	BODY	PPH
2	4 TO 8	INSERTED NUT	SS 304
3	1	INSERTED SCREW	SS 304
4	1	DIAPHRAGM	EPDM/PTFE
5	1	BONNET	PPH
6	1	COMPRESSOR	FC 25
7	1	COMPRESSOR PIN	SS 41
8	1	HAND WHEEL	PPH
9	1	NAME PLATE	SS
10	1	CAP	PPH
11	1	GASKET	EPDM
12	1	STEM	FC 25
13	1	GAUGE COVER	PC
14	1	STOPPER	BSBM
15	1	SET NUT	SS 41
16	2 OR 4	REINFORCING RING	SS 41
17	4 TO 8	SCREW AND WASHER	SS 304
17	4 TO 12	STUD + NUT + WASHER	SS 304
18	1	THRUST BEARING	SS 41
19	1	SLEEVE	FC 25

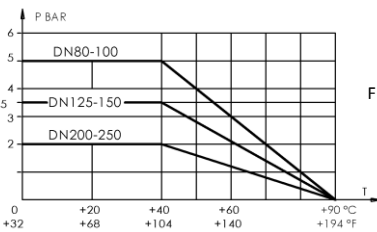
E FOR EPDM OR P FOR PTFE

DN	DIN REFERENCE	ANSI REFERENCE
80 3"	3201-07FFE/P	3201-07GGE/P
100 4"	3201-08FFE/P	3201-08GGE/P
125 5"	3201-09FFE/P	3201-09GGE/P
150 6"	3201-10FFE/P	3201-10GGE/P
200 8"	3201-11FFE/P	3201-11GGE/P
250 10"	3201-12FFE/P	3201-12GGE/P

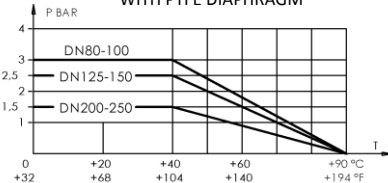
THE DESIGN OF DIAPHRAGM VALVES DOES NOT ALLOW THE VALVE TO WORK WITH A VACUUM.

DN	D1	D2		e		n		D3	D4	D5	L	T	H	I	WEIGHT (KG)
		DIN	ANSI	DIN	ANSI	DIN	ANSI								
80 3"	78	160	152,4	18	19	8	4	200	215	210	310	24	218	301	7,06
100 4"	100	180	190,5	18	19	8	8	220	255	250	350	30	261	337	11,36
125 5"	125	210	215,9	18	22,2	8	8	250	320	300	400	25	308	420	16,20
150 6"	148	240	241,3	23	22,2	8	8	285	385	410	480	31	334	476	26,22
200 8"	196	295	298,4	23	22,2	8	8	340	430	410	600	31	419	627	39,56
250 10"	249	350	362	23	25,4	12	12	395	540	560	680	33	520	778	78,66

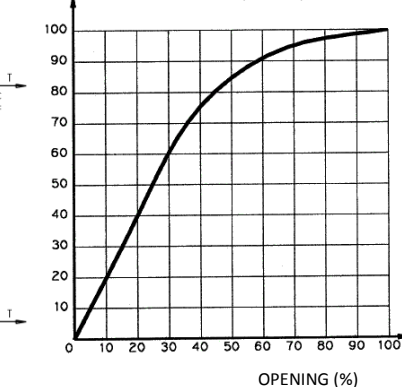
PRESSURE/TEMPERATURE GRAPH WITH EPDM DIAPHRAGM



PRESSURE/TEMPERATURE GRAPH WITH PTFE DIAPHRAGM

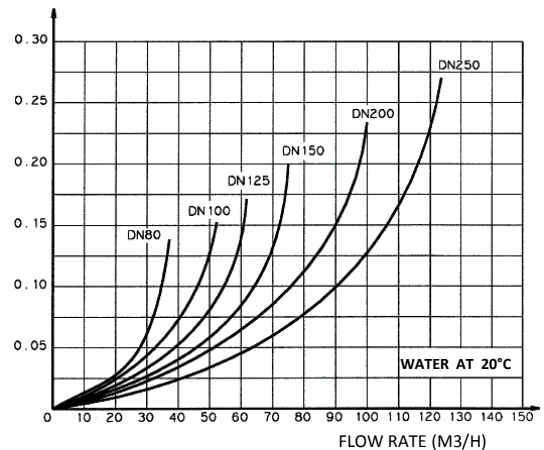


FLOW RATE/OPENING GRAPH (ALL DN)



PRESSURE DROP (BAR)

CHART : DROP IN PRESSURE



SAFI has a policy of continuously developing its product range and the above date is subject to change without prior notification.