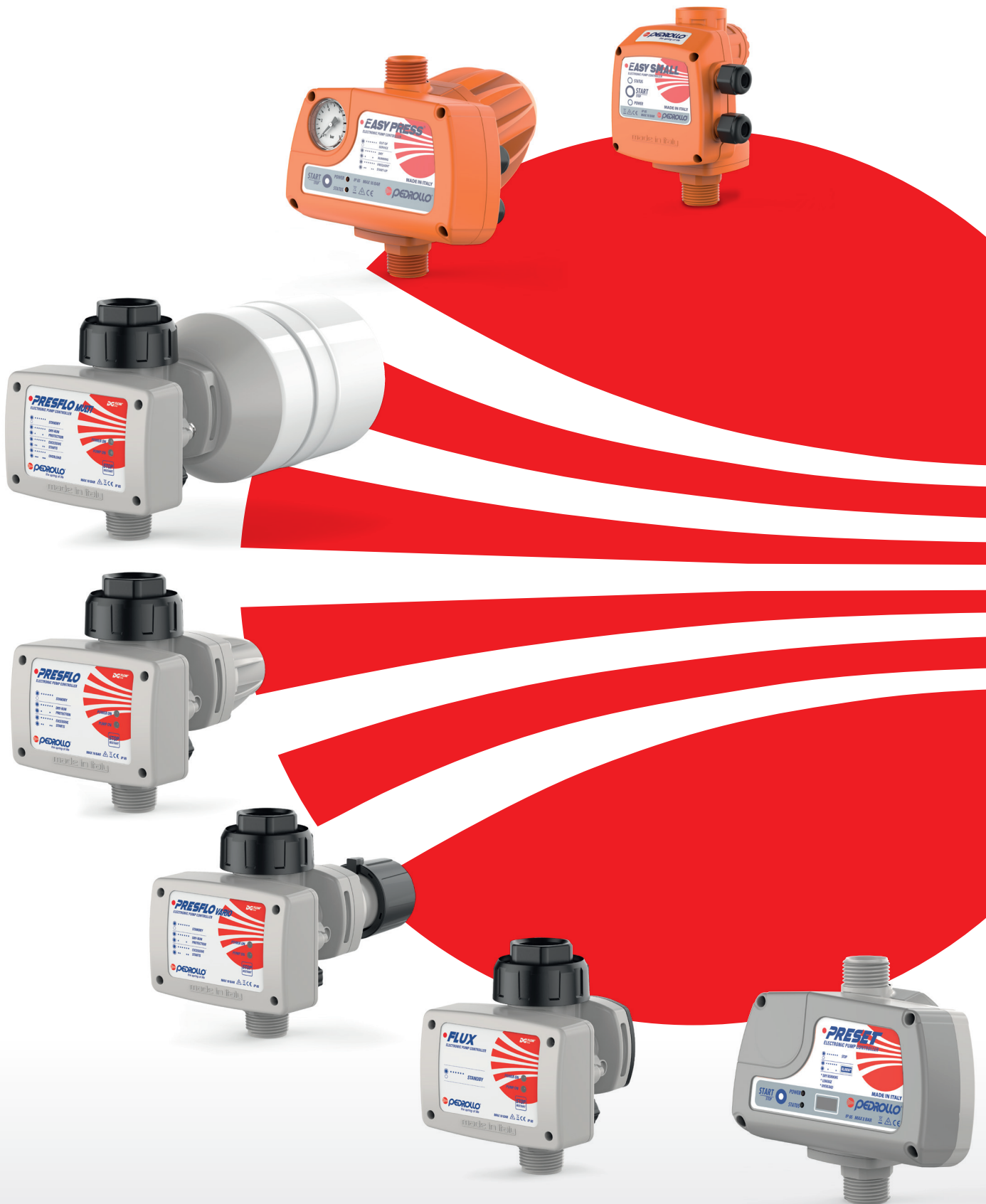


# ELECTRONIC PRESSURE REGULATORS

MADE IN ITALY



## Pressure-flow regulators for control and protection of single-phase pumps up to 2 HP for domestic use.

The electronic pressure-flow regulator starts the pump following a pressure decrease (when a tap is turned on), and stops it when the flow rate is less than 2 litres per minute.

### • EASY SMALL®



MODEL	POWER (P <sub>2</sub> )		Volt	Hz	Max Rated Current	connections (M) (F)
	kW	HP				
EASYSMALL	1.5	2	230	50/60	16 A	1" x 1"

#### PERFORMANCE RANGE

- Maximum flow rate: **200 l/min** (12 m<sup>3</sup>/h)
- Working pressure: **10 bar**
- Starting pressure: **1.5 bar**

#### APPLICATION LIMITS

- Liquid temperature up to **+50 °C**
- Room temperature up to **+40 °C**
- Burst pressure **40 bar**
- Protection: **IP 65**

### • EASY PRESS®



MODEL	POWER (P <sub>2</sub> )		Volt	Hz	Max Rated Current	connections (M) (M)
	kW	HP				
EASYPRESS	1.5	2	230	50/60	16 A	1" x 1"

#### PERFORMANCE RANGE

- Maximum flow rate: **200 l/min** (12 m<sup>3</sup>/h)
  - Working pressure: **10 bar**
  - Starting pressure: **1.5 bar**
- (restaring pressure can be set at 0,8 bar or at 2.2 bar on request)

#### APPLICATION LIMITS

- Liquid temperature up to **+55 °C**
- Room temperature up to **+40 °C**
- Burst pressure **40 bar**
- Protection: **IP 65**

### • PRESFLO MULTI



MODEL	POWER (P <sub>2</sub> )		Volt	Hz	Max Rated Current	connections (M) (F)
	kW	HP				
PRESFLO MULTI	1.5	2	230	50/60	16 A	1" x 1"

#### PERFORMANCE RANGE

- Maximum flow rate: **200 l/min** (12 m<sup>3</sup>/h)
- Working pressure: **8 bar**
- **Default settings:**
- Starting pressure: **2 bar, adjustable** in a range between **1 and 5 bar**.  
Max Rated Current: **16 A, adjustable** in a range between **4 and 16 A**.

#### APPLICATION LIMITS

- Liquid temperature up to **+55 °C**
- Room temperature up to **+40 °C**
- Burst pressure **24 bar**
- Protection: **IP 65**

#### FEATURES

PRESFLO MULTI stands out from the traditional pressure-flow regulators thanks to some innovative features:

- **An air filled expansion vessel, equipped in the device**
- **Manual setup of the starting pressure of the pump and the maximum current.**

## • PRESFLO



MODEL	POWER (P <sub>2</sub> )		Volt	Hz	Max Rated Current	connections (M) (F)
	kW	HP				
PRESFLO	1.5	2	230	50/60	16 A	1" x 1"

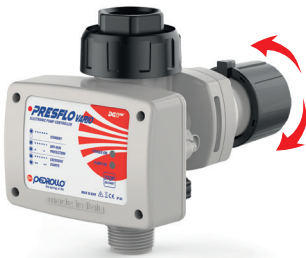
### PERFORMANCE RANGE

- Maximum flow rate: **200 l/min** (12 m<sup>3</sup>/h)
- Working pressure: **10 bar**
- Starting pressure: **1.5 bar**  
(restarting pressure can be set at 0.8 bar or at 2.2 bar on request)

### APPLICATION LIMITS

- Liquid temperature up to **+50 °C**
- Room temperature up to **+40 °C**
- Burst pressure **40 bar**
- Protection: **IP 65**

## • PRESFLO VARIO



MODEL	POWER (P <sub>2</sub> )		Volt	Hz	Max Rated Current	connections (M) (F)
	kW	HP				
PRESFLO VARIO	1.5	2	230	50/60	16 A	1" x 1"

### PERFORMANCE RANGE

- Maximum flow rate: **200 l/min** (12 m<sup>3</sup>/h)
- Working pressure: **10 bar**
- **Default settings:**
- Starting pressure: **1.5 bar, adjustable** in a range between **0.8 and 2.4 bar**

### APPLICATION LIMITS

- Liquid temperature up to **+55 °C**
- Room temperature up to **+40 °C**
- Burst pressure **40 bar**
- Protection: **IP 65**

### • Pressure-Flow Regulator With Adjustable Starting Pressure

## • FLUX



MODEL	POWER (P <sub>2</sub> )		Volt	Hz	Max Rated Current	connections (M) (F)
	kW	HP				
FLUX	1.5	2	230	50/60	16 A	1" x 1"

### PERFORMANCE RANGE

- Maximum flow rate: **200 l/min** (12 m<sup>3</sup>/h)
- Working pressure: **10 bar**

### APPLICATION LIMITS

- Liquid temperature up to **+55 °C**
- Room temperature up to **+40 °C**
- Burst pressure **24 bar**
- Protection: **IP 65**

### FEATURES

Electronic flow regulator for control and protection of single-phase pumps up to 2HP, installed with negative suction head or with conveyance by aqueduct. FLUX starts the pump when the tap is turned on, and stops it when the flow rate is lower than 2 l/min.

## • PRESET



MODEL	POWER (P <sub>2</sub> )		Volt	Hz	Max Rated Current	connections (M) (M)
	kW	HP				
PRESET	1.5	2	230	50/60	16 A	1" x 1"

### PERFORMANCE RANGE

- Maximum flow rate: **200 l/min** (12 m<sup>3</sup>/h)
- Working pressure: **10 bar**
- **Default settings:**  
Running pressure: **2 bar**  
Stop pressure: **3 bar**

### APPLICATION LIMITS

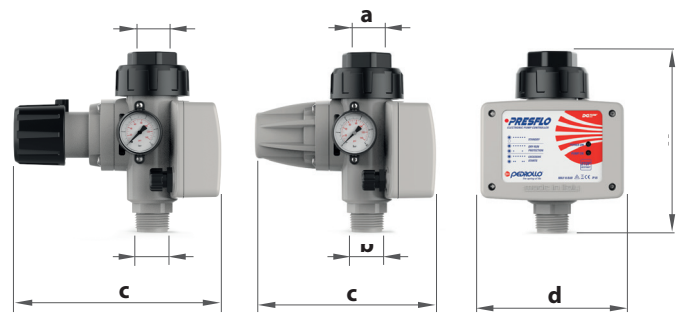
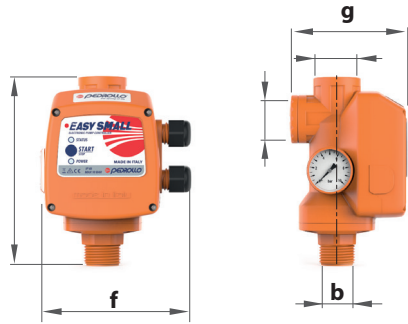
- Liquid temperature up to **+55 °C**
- Room temperature up to **+40 °C**
- Burst pressure **40 bar**
- Protection: **IP 65**

### FEATURES

Electronic pressure regulator for control and protection of single-phase pumps up to 2 HP

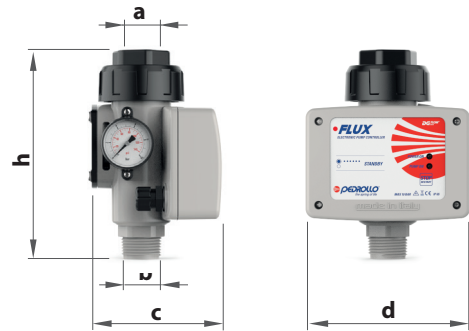
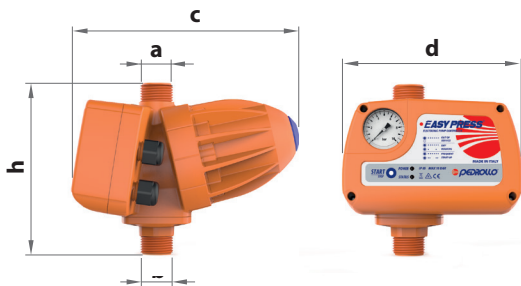
- Running/stop pressures adjustable between **0.8 to 9 bar**
- Amperometric protection
- Dry-running protection
- Protection from frequent starts

## DIMENSIONS AND WEIGHT



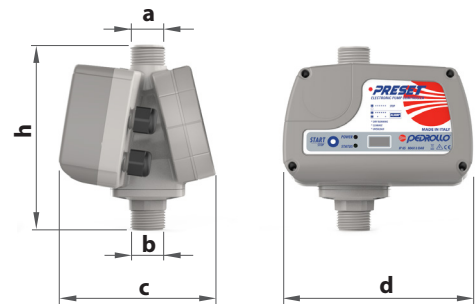
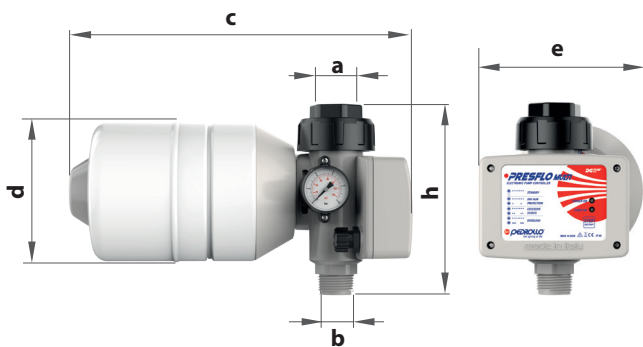
MODEL	PORTS			DIMENSIONS (mm)			kg
	a	b	c	f	g	h	
EASYSMALL	1"	1"	1"	131	100	177	0.7

MODEL	PORTS		DIMENSIONS (mm)			kg
	a	b	c	d	h	
PRESFLO	1"	1"	167	130	168	0.94
PRESFLO VARIO	1"	1"	191			1



MODEL	PORTS		DIMENSIONS (mm)			kg
	a	b	c	d	h	
EASYPRESS	1"	1"	221	175	174	1.63

MODEL	PORTS		DIMENSIONS (mm)			kg
	a	b	c	d	h	
FLUX	1"	1"	104.3	130	168	0.8



MODEL	PORTS		DIMENSIONS mm				kg
	a	b	c	d	e	h	
PRESFLO MULTI	1"	1"	299	127	149	168	2.00

MODEL	PORTS		DIMENSIONS (mm)			kg
	a	b	c	d	h	
PRESET	1"	1"	130	174	174	1.58

### GUARANTEE

2 years in accordance with our general sales conditions



COMPANY WITH  
QUALITY SYSTEM  
CERTIFIED BY DNV GL  
= ISO 9001 =



**Pedrollo S.p.A.**

Via Enrico Fermi, 7 - 37047 San Bonifacio (Verona) Italy  
tel. +39 045 6136311 - fax +39 045 7614663  
vendite@pedrollo.com - sales@pedrollo.com - www.pedrollo.com

**MADE IN ITALY**

Z-DPL90051UK\_01