

PRG SERIES

Used mainly at industrial level, these pumps boast flow rates and head pressures typical of bigger and more expensive models. The size of inlet and outlet threaded ports is 1/2"

Materials used for the body of the pump:
Brass or stainless steel

The pump can be equipped with:

- a normal by-pass valve
- a balanced by-pass valve
- no by-pass valve

Available gaskets and mechanical seals:

- NBR (standard equipment)
- EPDM
- VITON

Engine connection:

- through an elastic metal clamp
- through flange screws

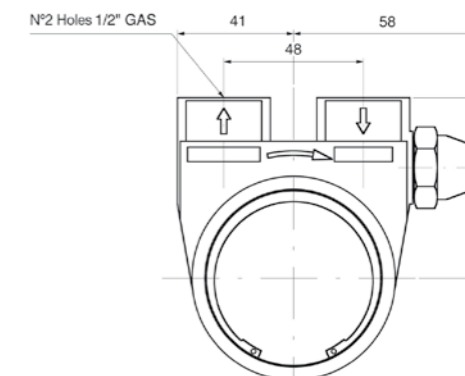
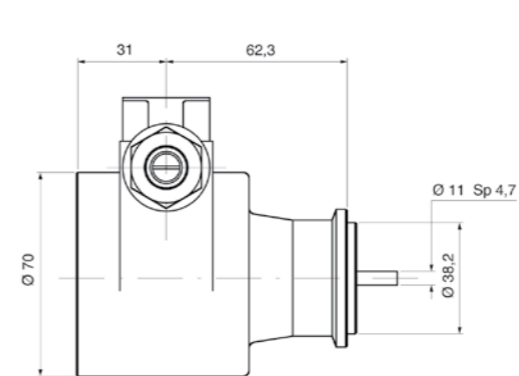
Currently available flow rates:

500-600-700-800-900-1080 l/hr at 1450rpm

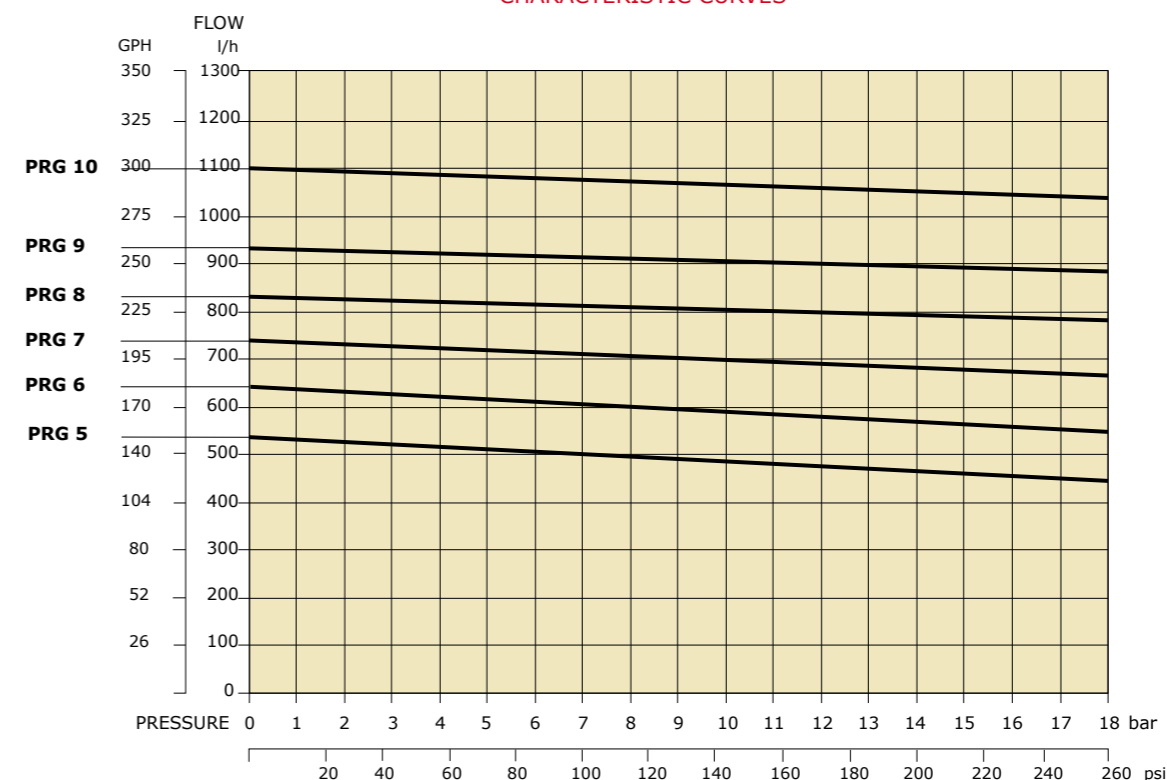
Certified NSF or WRAS models available upon request

Fields of application:

- Reverse osmosis systems
- Water purification and ultrapurification systems
- Chemical transfer pump
- Cooling circuits for labs
- Water, perfume or spray ponds
- Cooling circuits for medical lasers
- Car wash
- Atomisation of agricultural products and pesticides



CHARACTERISTIC CURVES



PRG series	FLOW RATE (L/h) at 1400 rpm				FLOW RATE (GPH) at 1750 rpm			
	0 bar	5 bar	9 bar	14 bar	0 psi	75 psi	130 psi	200 psi
PRG 5	535	510	490	475	174	166	159	155
PRG 6	640	620	590	575	208	202	192	187
PRG 7	730	715	690	675	238	233	225	220
PRG 8	830	815	800	780	270	265	260	254
PRG 9	930	920	905	880	303	299	295	286
PRG 10	1100	1080	1070	1030	358	352	348	335

Indicative flow rates referred to: pump without by-pass valve, speed 1400 rpm, water at 20°C (68°F)

Indicative flow rates referred to: pump without by-pass valve, speed 1750 rpm, water at 20°C (68°F)