

NU.ERT.

PR SERIES



The balance between their high performance and limited size makes them the most widely used model in the market. They are silent and highly reliable pumps appreciated also for the possibility of customisation

Materials used for the body of the pump:

Brass or stainless steel

The pump can be equipped with:

- a normal by-pass valve
- a balanced by-pass valve
- no by-pass valve

Available gaskets and mechanical seals:

- NBR (standard equipment)
- EPDM
- VITON

Engine connection:

- through an elastic metal clamp
- through flange screws

Currently available flow rates:

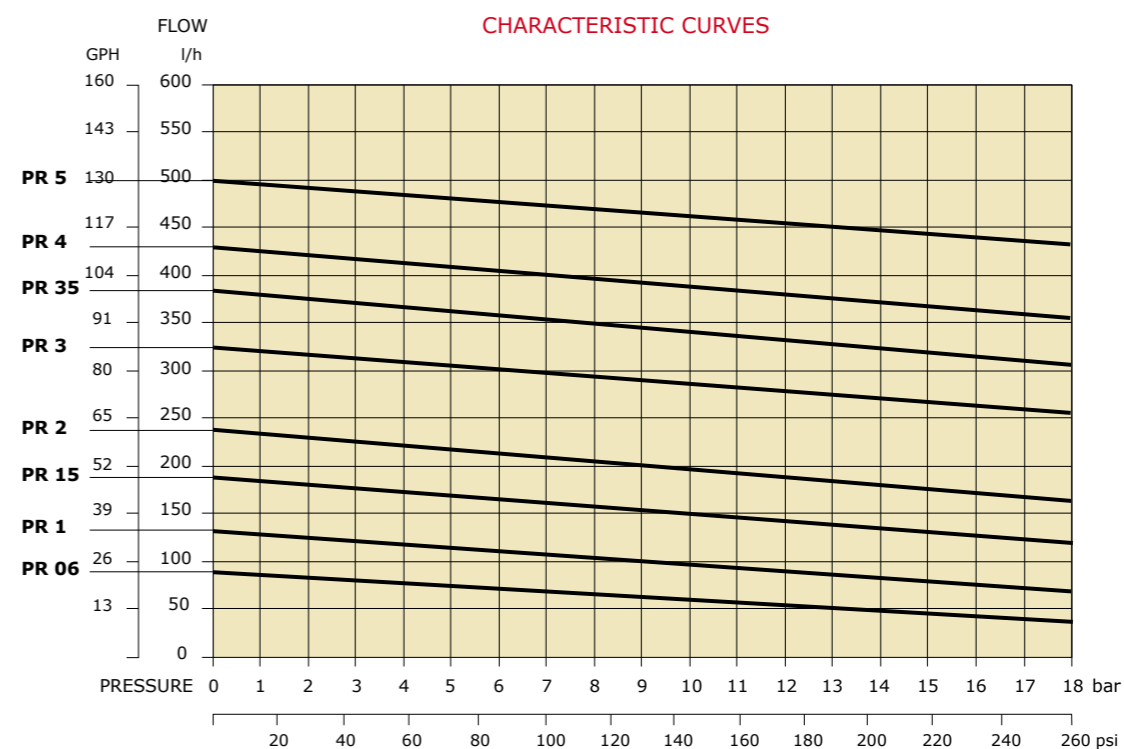
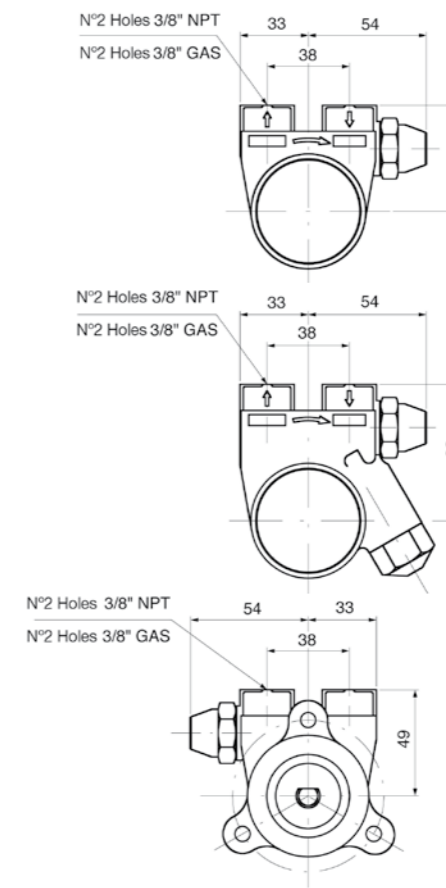
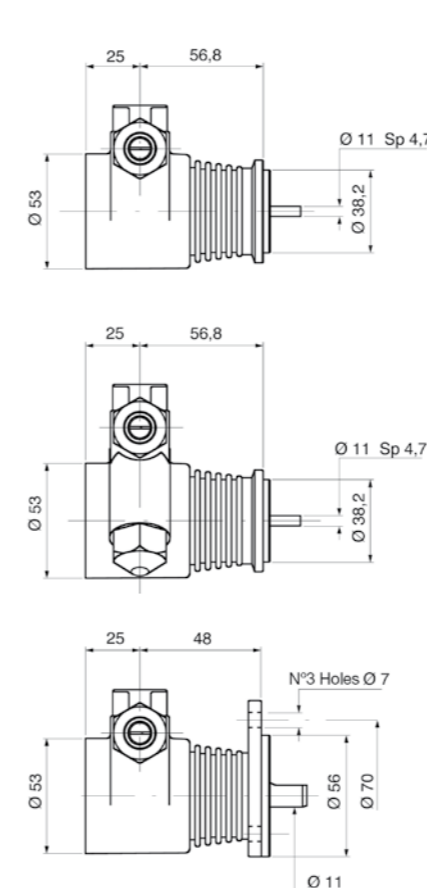
60-100-150-200-300-350-400-500 l/hr at 1450rpm

Certified NSF or WRAS models

available upon request

Fields of application:

- Espresso coffee machines
- Beverage pumps
- Water carbonation
- Reverse osmosis systems
- Water purification and ultrapurification systems
- Chemical transfer pump
- Cooling circuits for labs
- Steam cleaning machines
- Water, perfume or spray ponds
- Cooling circuits for medical lasers
- Car wash
- Atomisation of agricultural products and pesticides



PR Series	FLOW RATE (L/h) a 1400 RPM				FLOW RATE (GPH) a 1750 rpm			
	0 bar	5 bar	9 bar	14 bar	0 psi	75 psi	130 psi	200 psi
PR 06	90	78	63	55	29	25	21	18
PR 1	125	115	110	85	41	37	36	28
PR 15	175	160	150	135	57	52	49	44
PR 2	230	220	205	185	75	72	67	60
PR 3	320	310	295	280	104	101	96	91
PR 35	370	355	340	330	120	116	111	107
PR 4	420	405	390	380	137	132	127	124
PR 5	500	490	475	458	163	159	155	149

Indicative flow rates referred to: pump without by-pass valve, speed 1400 rpm, water at 20°C (68°F)

Indicative flow rates referred to: pump without by-pass valve, speed 1750 rpm, water at 20°C (68°F)