

# PLURIJET 60X-80X-100X

## Self-priming multi-stage pumps

-  Clean water
-  Domestic use
-  Civil use



### PERFORMANCE RANGE

- Flow rate up to **130 l/min** (7.8 m<sup>3</sup>/h)
- Head up to **52 m**

### APPLICATION LIMITS

- Manometric suction lift up to **9 m** (HS)
- Liquid temperature between **-10 °C** and **+40 °C**
- Ambient temperature up to **+40 °C**
- Max. working pressure **6 bar**
- Continuous service **S1**

### CONSTRUCTION AND SAFETY STANDARDS

EN 60335-1  
IEC 60335-1  
CEI 61-150

EN 60034-1  
IEC 60034-1  
CEI 2-3



### CERTIFICATIONS

Company with management system certified DNV  
ISO 9001: QUALITY



### INSTALLATION AND USE

The self-priming **PLURIJET** pumps are recommended for pumping clean water even in cases where air is present and for liquids which are not chemically aggressive towards the materials from which the pump is made.

Because of their silence, reliability and low energy consumption they are recommended for domestic and civil applications, in particular for pressurising and distributing water in combination with pressure tanks, for the recovery of rain water, for irrigation systems, etc.

Installation needs to be undertaken in well ventilated closed areas or anyway protected from bad weather.

### PATENTS - TRADE MARKS - MODELS

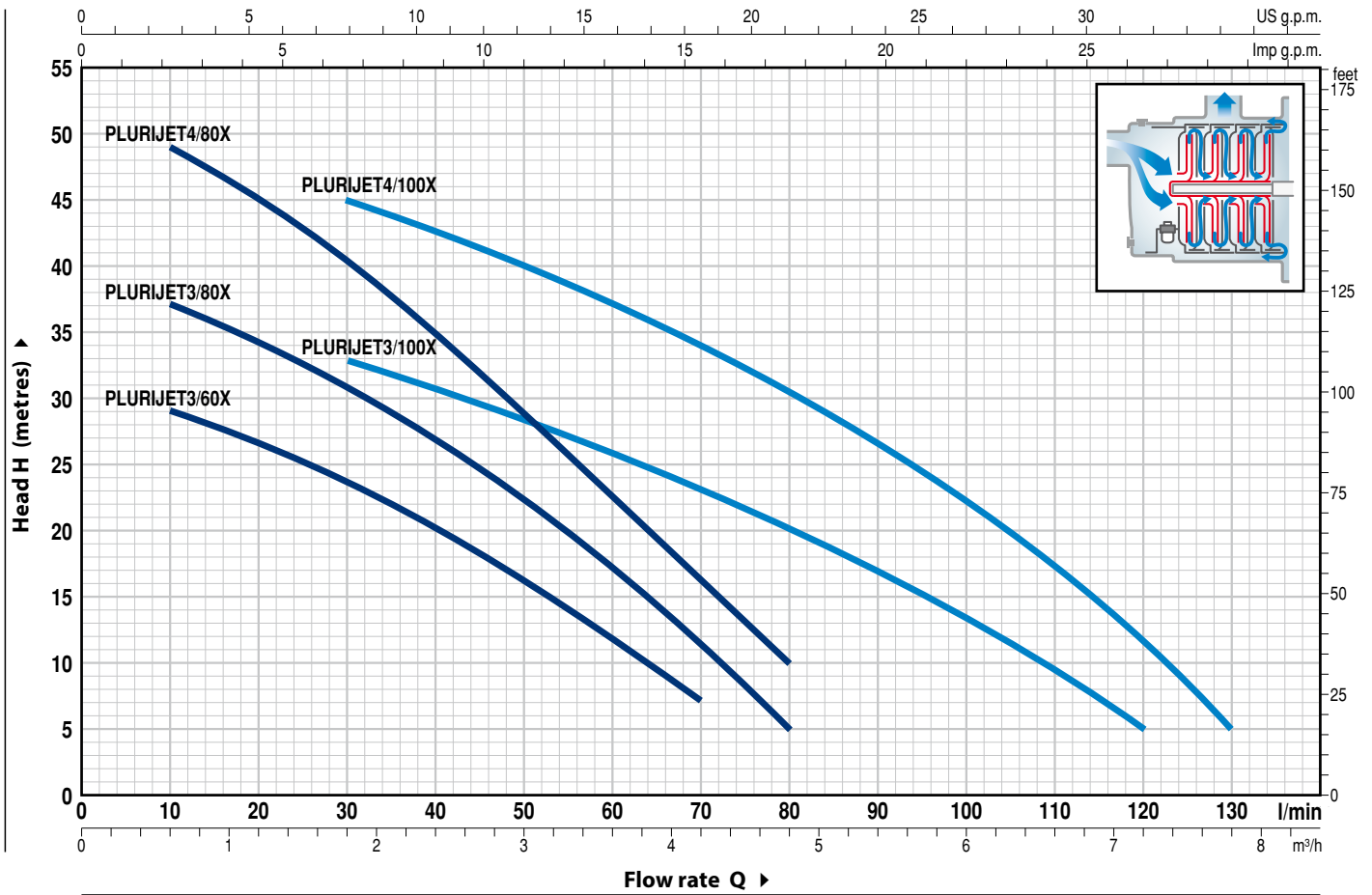
- Registered Trade Mark n. 3974301 PLURIJET®

### OPTIONS AVAILABLE ON REQUEST

- Other voltages or 60 Hz frequency

## CHARACTERISTIC CURVES AND PERFORMANCE DATA

50 Hz n = 2900 min<sup>-1</sup> HS = 0 m



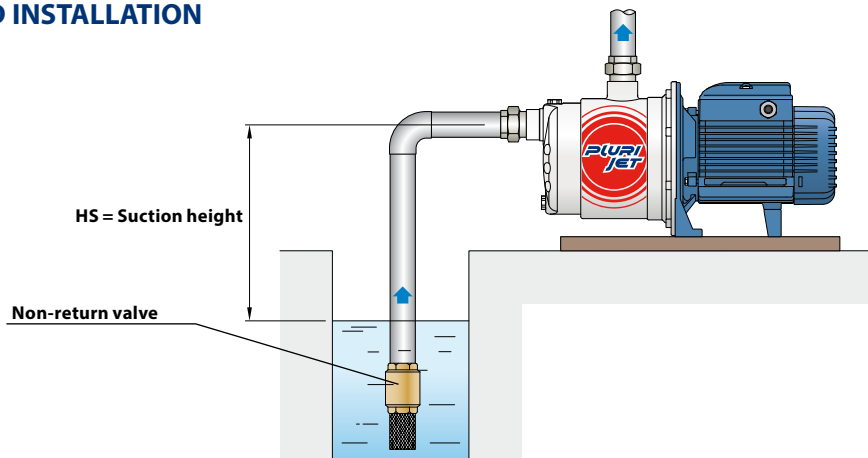
MODEL		POWER (P <sub>2</sub> )			Q	Flow rate																	
Single-phase	Three-phase	kW	HP	▲		m <sup>3</sup> /h	0	0.3	0.6	1.2	1.8	2.4	3.0	3.6	4.2	4.8	5.4	6.0	6.6	7.2	7.8		
						l/min	0	5	10	20	30	40	50	60	70	80	90	100	110	120	130		
PLURIJETm 3/60X	PLURIJET 3/60X	0.37	0.50	IE2	H metres	31	30	29	26.5	23.5	20	16	11.5	7									
PLURIJETm 3/80X	PLURIJET 3/80X	0.48	0.65			40	38	37	34.5	31	27	22.5	17	11	5								
PLURIJETm 4/80X	PLURIJET 4/80X	0.55	0.75			52	50	49	44.5	40	34	28.5	22.5	16	10								
PLURIJETm 3/100X	PLURIJET 3/100X	0.55	0.75	IE3		38	37	36	34.5	33	31	28	26	23	20	17	13.5	10	5				
PLURIJETm 4/100X	PLURIJET 4/100X	0.75	1			50	50	49	47	45	42	39.5	37	34	30.5	26.5	22	17	11	5			

Q = Flow rate H = Total manometric head HS = Suction height

Tolerance of characteristic curves in compliance with EN ISO 9906 Grade 3B.

▲ Three-phase motor efficiency class (IEC 60034-30-1)

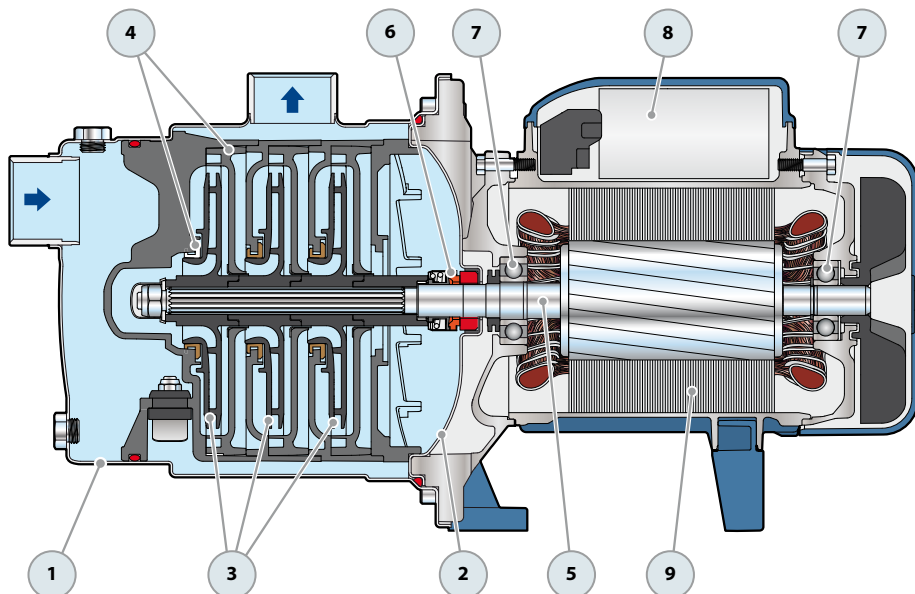
## STANDARD INSTALLATION



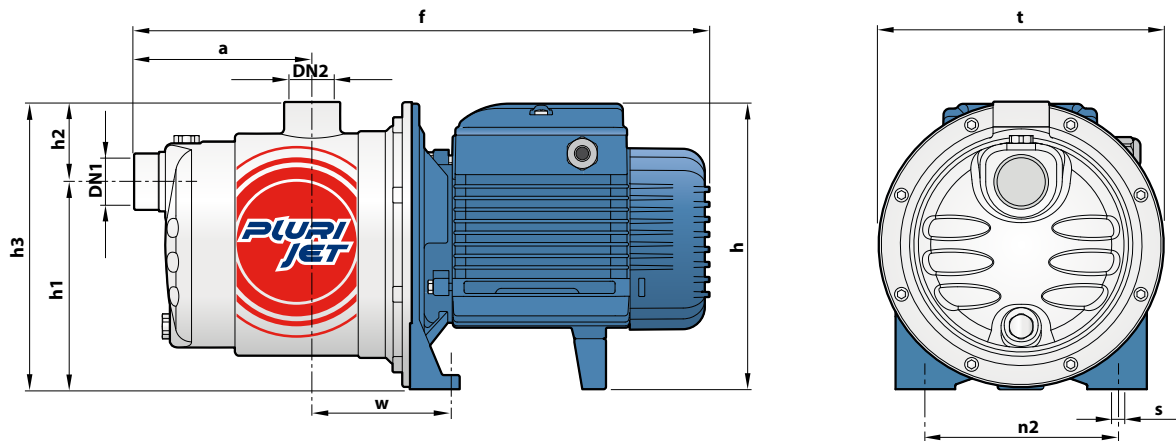
# PLURIJET 60X-80X-100X

## POS. COMPONENT CONSTRUCTION CHARACTERISTICS

1	<b>PUMP BODY</b>	Stainless steel AISI 304 complete with threaded ports in compliance with ISO 228/1				
2	<b>BODY BACKPLATE</b>	Stainless steel AISI 304				
3	<b>IMPELLERS</b>	Noryl FE1520PW				
4	<b>DIFFUSERS</b>	Noryl FE1520PW complete with anti-wear ring				
5	<b>MOTOR SHAFT</b>	Stainless steel AISI 431				
6	<b>MECHANICAL SEAL</b>	<i>Seal Model</i>	<i>Shaft Diameter</i>	<i>Stationary ring</i>	<i>Materials Rotational ring</i>	<i>Elastomer</i>
		AR-13	Ø 13 mm	Ceramic	Graphite	NBR
7	<b>BEARINGS</b>	<i>Pump</i>	<i>Model</i>			
		PLURIJET 3/60X	6202 ZZ - C3 / 6201 ZZ			
		PLURIJET 3/80X				
		PLURIJET 3/100X				
		PLURIJET 4/80X				
PLURIJET 4/100X	6203 ZZ / 6203 ZZ					
8	<b>CAPACITOR</b>	<i>Pump</i>	<i>Capacitance</i>			
		<i>Single-phase</i>	<i>(230 V or 240 V)</i>		<i>(110 V)</i>	
		PLURIJETm 3/60X	10 µF - 450 VL	25 µF - 250 VL		
		PLURIJETm 3/80X	12.5 µF - 450 VL	25 µF - 250 VL		
		PLURIJETm 4/80X	14 µF - 450 VL	25 µF - 250 VL		
		PLURIJETm 4/100X	20 µF - 450 VL	60 µF - 300 VL		
9	<b>ELECTRIC MOTOR</b>	<p><b>PLURIJETm:</b> single-phase 230 V - 50 Hz with thermal overload protector incorporated into the winding.  <b>PLURIJET:</b> three-phase 230/400 V - 50 Hz.</p> <p>⇒ <b>The three-phase pumps are fitted with high performance motors up to P<sub>2</sub>=0.55 kW in class IE2 and from P<sub>2</sub>=0.75 kW in class IE3 (IEC 60034-30-1)</b></p> <ul style="list-style-type: none"> <li>- Insulation: class F</li> <li>- Protection: IP X4</li> </ul>				



## DIMENSIONS AND WEIGHT



MODEL		PORTS		DIMENSIONS mm										kg	
Single-phase	Three-phase	DN1	DN2	a	f	h	h1	h2	h3	t	n2	w	s	1~	3~
PLURIJETm 3/60X	PLURIJET 3/60X	1"	1"	113	367	182	132	51	183	182	120	87	9	6.5	6.5
PLURIJETm 3/80X	PLURIJET 3/80X			138	392									7.3	7.3
PLURIJETm 4/80X	PLURIJET 4/80X			113	367									8.3	7.8
PLURIJETm 3/100X	PLURIJET 3/100X			138	411	7.9								7.3	
PLURIJETm 4/100X	PLURIJET 4/100X			202 *	10	10.6								10.6	

(\*) h=221 mm for single-phase versions at 110 V

## ABSORPTION

MODEL	VOLTAGE		
Single-phase	230 V	240 V	110 V
PLURIJETm 3/60X	2.4 A	2.3 A	4.8 A
PLURIJETm 3/80X	3.3 A	3.1 A	6.6 A
PLURIJETm 4/80X	4.1 A	4.0 A	8.2 A
PLURIJETm 3/100X	4.1 A	4.0 A	8.2 A
PLURIJETm 4/100X	6.0 A	5.8 A	12.0 A

MODEL	VOLTAGE					
Three-phase	230 V	400 V	690 V	240 V	415 V	720 V
PLURIJET 3/60X	1.7 A	1.0 A	0.6 A	1.6 A	0.9 A	0.5 A
PLURIJET 3/80X	2.5 A	1.5 A	0.9 A	2.4 A	1.4 A	0.8 A
PLURIJET 4/80X	3.4 A	2.0 A	1.2 A	3.3 A	1.9 A	1.1 A
PLURIJET 3/100X	3.4 A	2.0 A	1.2 A	3.3 A	1.9 A	1.1 A
PLURIJET 4/100X	4.5 A	2.6 A	1.5 A	4.3 A	2.5 A	1.4 A

## PALLETIZATION

MODEL		GROUPAGE	CONTAINER
Single-phase	Three-phase	n. pumps	n. pumps
PLURIJETm 3/60X	PLURIJET 3/60X	84	108
PLURIJETm 3/80X	PLURIJET 3/80X	84	108
PLURIJETm 4/80X	PLURIJET 4/80X	72	108
PLURIJETm 3/100X	PLURIJET 3/100X	84	108
PLURIJETm 4/100X	PLURIJET 4/100X	72	108