

NAUTIC 25-30-40-50



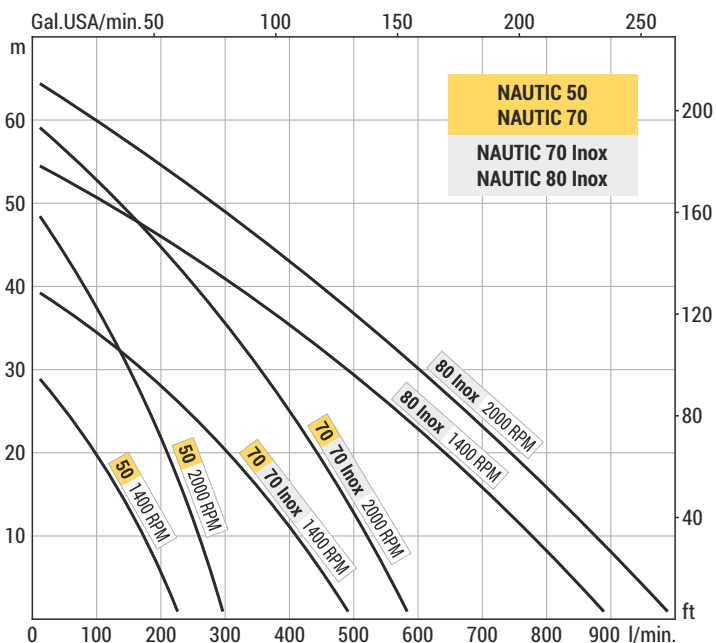
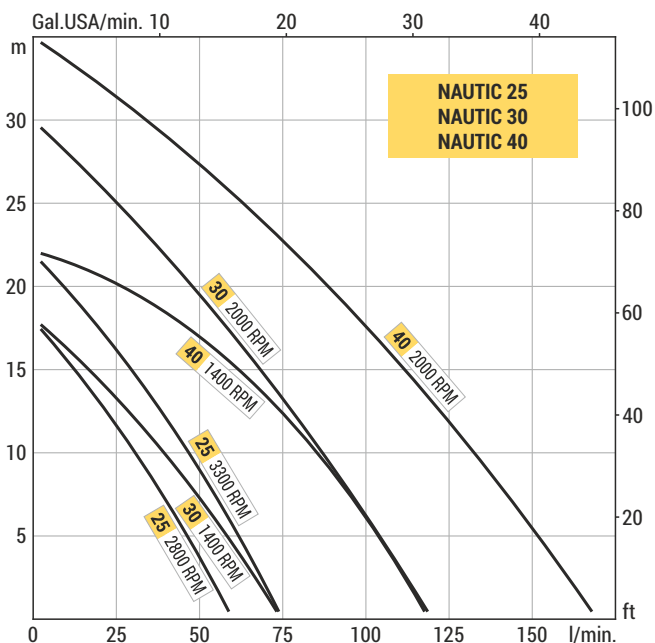
NAUTIC 70



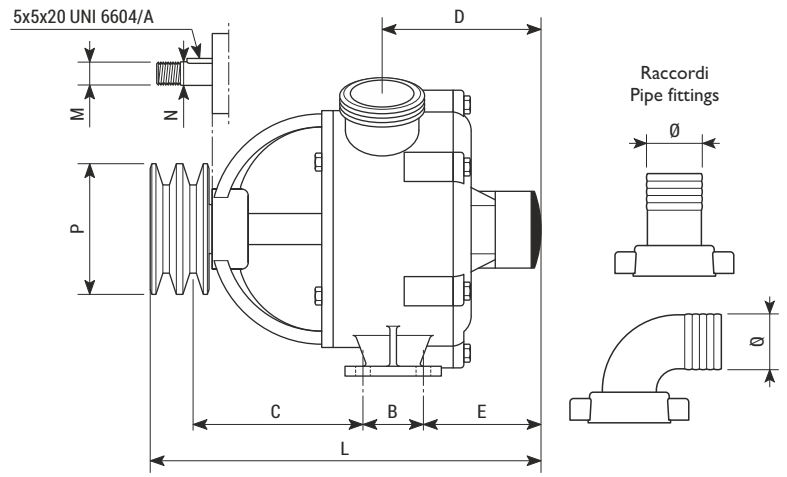
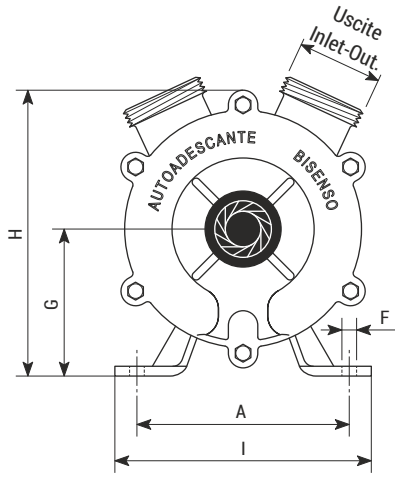
NAUTIC 80 Inox

Modello Type	Materiale Material	Giri/minuto RPM	kW *	H = Prevalenza (metri) / Head (meters) - Q = Portata (litri/minuto) / Capacity (liters/minute)															
				0	5	10	15	18	22	24	30	35	40	50	55	60	65	H	
NAUTIC 25	Bronzo Bronze	standard	2800	0.55	60	47	30	12	0										
		max	3300	0.75	75	62	47	30	18	0									
NAUTIC 30	Bronzo Bronze	standard	1400	0.75	75	60	40	15	0										
		max	2000	1.10	120	105	85	68	55	38	30	0							
NAUTIC 40	Bronzo Bronze	standard	1400	1.10	120	105	85	62	45	0									
		max	2000	1.85	170	150	133	110	100	80	70	35	0						
NAUTIC 50	Bronzo Bronze	standard	1400	1.85	230	205	175	140	120	80	60	0							
		max	2000	3.0	300	280	260	235	220	200	190	150	120	80	0				
NAUTIC 70	Bronzo Bronze	standard	1400	7.5	500	455	415	365	330	280	255	165	90	0					
		max	2000	11.0	590	555	520	485	460	430	410	375	320	255	140	70	0		
NAUTIC 70 Inox	Inox AISI 316 S.S. AISI 316	standard	1400	7.5	500	455	415	365	330	280	255	165	90	0					
		max	2000	11.0	590	555	520	485	460	430	410	375	320	255	140	70	0		
NAUTIC 80 Inox	Inox AISI 316 S.S. AISI 316	standard	1400	15.0	900	840	780	720	660	620	580	500	410	310	110	0			
		max	2000	22.5	1000	940	875	810	770	720	690	600	530	450	280	190	100	0	

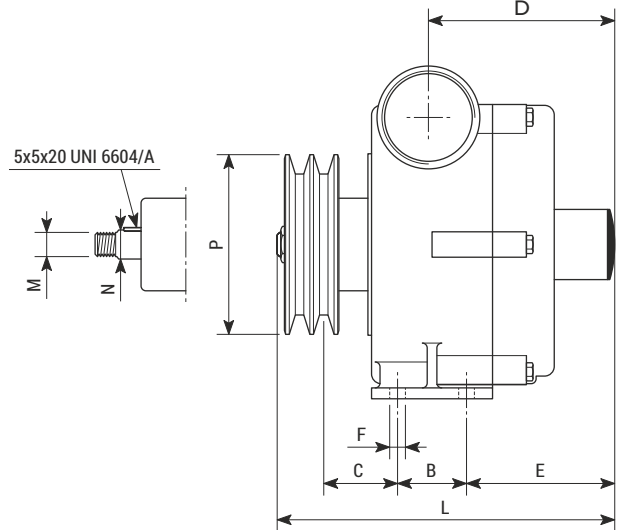
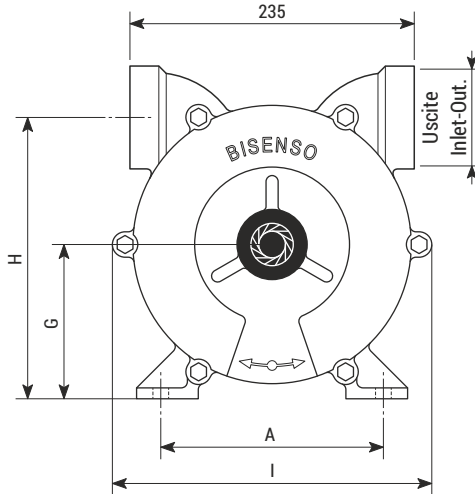
* = Potenza richiesta / Required power



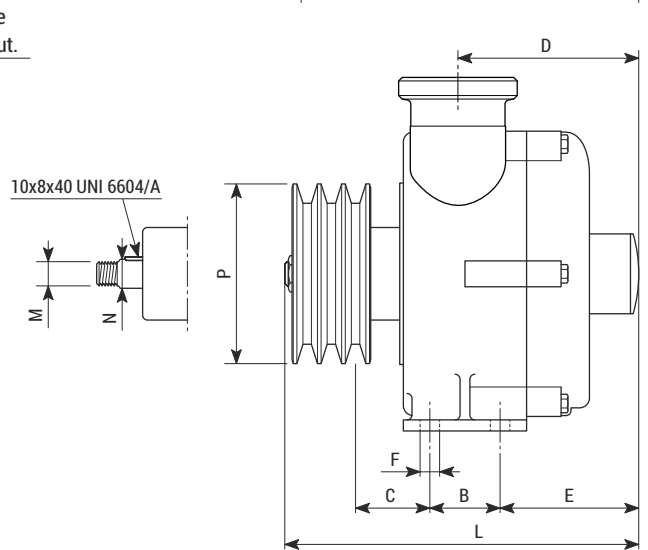
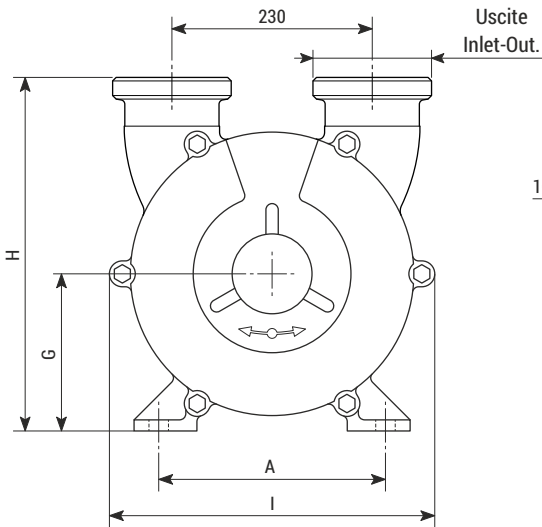
**NAUTIC
25-30-40-50**



**NAUTIC 70
NAUTIC 70 Inox**



NAUTIC 80 Inox



Tipo Type	Peso Weight	Uscite Inlet-Outlet	Raccordi Pipe fittings	Dimensioni (mm) / Dimensions (mm)												
				A	B	C	D	E	F	G	H	I	L	M	N	P
NAUTIC 25	4.1 kg	BSP-M 1"	Ø25	119,5	25	80	80	68	Ø6,75	63	116	140	195	M14x1,5	Ø14,5	Ø70x1A
NAUTIC 30	5.7 kg	BSP-M 1"1/4	Ø30	130	28	103	85	70	Ø9	90	175	157	218	M14x1,5	Ø14,5	Ø70x1A
NAUTIC 40	7.4 kg	BSP-M 1"1/2	Ø40	130	37	108	105	76	Ø9	90	175	157	245	M14x1,5	Ø14,5	Ø80x2A
NAUTIC 50	12.8 kg	BSP-M 2"	Ø50	160	40	138	125	91	Ø11	120	225	188	298	M16	Ø19	Ø80x2A
NAUTIC 70	25.3 kg	BSP-F 2"1/2	n.d.	184	57	64	144	110	Ø13	128	231	260	269	M18x1,5	Ø24	Ø149x2B
NAUTIC 70 Inox	25.3 kg	BSP-M 2"1/2 *	n.d.	184	57	64	144	110	Ø13	128	231	260	269	M18x1,5	Ø24	Ø149x2B
NAUTIC 80 Inox	40.0 kg	Garolla 80	n.d.	250	60	65	181	144	Ø13	160	327	315	330	M20x1,5	Ø30	Ø167x3B

rif. UNI 5266

* = Uscite standard BSP (Gas), altre uscite disponibili p.30 / Standard inlet-outlet BSP (Gas), different inlet-outlet are available see p.30
n.d. = Raccordi non disponibili / Pipe fittings not available